

DME Satellite ES Series

Audio I/O Distribution and DSP Expansion Units



DME8i-ES



DME8o-ES



DME4io-ES



DME8i-ES Rear Panel



1U

Extensive I/O and processing expansion for DME64N/DME24N systems and EtherSound™ networks.

- Vastly expand the capabilities and capacity of a DME-based sound system, or any other networked audio devices that use EtherSound™ protocol.
- Controllable remote I/O plus powerful DSP processing capability allow distributed processing for unprecedented system design flexibility and power.
- Reduce system cabling costs while maximizing overall reliability.
- Also usable as stand-alone processors in smaller systems.
- Full 24-bit 96-kHz audio processing, plus the same highly-acclaimed analog circuitry used in the DME24N.
- Supplied DME Designer software application can be used to control, monitor, and create complete processing “configurations” in the same way as with the DME64N or DME24N.
- 8-in/4-out GPI terminals allows direct, easy connection to wall-mountable CP4SF control panels featuring four switches and four faders.

OPTIONS

REMOTE CONTROL PANELS

ICP1

Intelligent Control Panel

The most sophisticated of the DME series remotes, the ICP1 connects via Ethernet. Functions include scene recall and six user-defined keys at the top and bottom of the LCD screen, which can be assigned to DME parameters such as microphone and music source levels. Up to 4 sets of “pages” are available - giving up to 24 parameters. LCD display shows names and scenes and function keys in five languages - English, German, French, Spanish and Japanese.



CP4SF

Four switches and four faders control panel

Wall-mountable remote control panel for GPI control. Uses a standard (US-type) 3 gang wall box.



CP4SW

Four switches control panel

Wall-mountable remote control panel for GPI control. Uses a standard (US-type) 1 gang wall box.



CP1SF

One switch and one fader control panel

Wall-mountable remote control panel for GPI control. Uses a standard (US-type) 1 gang wall box.



DME Satellite ES Series

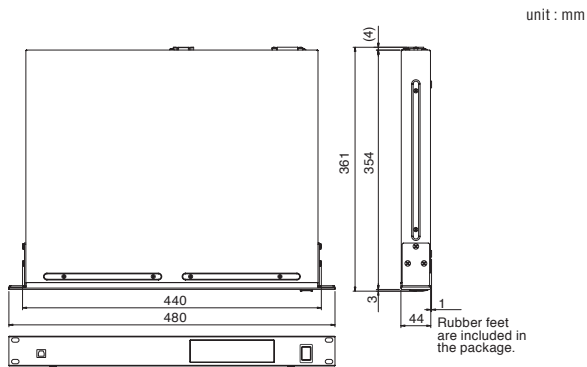
GENERAL SPECIFICATIONS

Scene	999
Sampling frequency rate	Internal : 48kHz, 96kHz External: Normal rate: 44.1kHz, 48kHz ($\pm 0.1\%$) Double rate: 88.2kHz, 96kHz ($\pm 0.1\%$)
Signal delay	2ms (From Analog Input of PRIMARY_MASTER to Analog Output of SLAVE through EtherSound@48kHz)
Total harmonic distortion**1	Less than 0.05%, 20Hz to 20kHz @+14dBu into 600 Ω
Frequency response	20Hz - 20kHz, +0.5, -1.5dB, @+4dBu into 600 Ω (@fs=48kHz) 20Hz - 40kHz, +0.5, -1.5dB, @+4dBu into 600 Ω (@fs=96kHz)
Dynamic range	106dB typ. AD+DA
Hum & noise level (20Hz to 20kHz), Rs=150 Ω	-82dBu residual noise
Crosstalk (@1kHz)	-80dB input to output
Phantom Power	+48V
Power requirements	AC100V-240V 50Hz/60Hz
Power consumption	40W
Dimensions (W x H x D)	480 x 44 x 361mm (18.9" x 1.7" x 14.2"), 1U
Weight	4.4kg (9.7lbs)

*1 Total harmonic distortion is measured with a 18dB/Oct filter @80kHz.

*2 Hum & noise level is measured with a 6dB/oct filter @12.7kHz; equivalent to 20kHz filter with infinite dB/Oct attenuation.

DIMENSIONS



ANALOG INPUT SPECIFICATIONS

Input terminal	GAIN	Actual load impedance	For use with nominal	Input level		Connector
				Nominal	Max. before clip	
INPUT	-60dB	3 Ω	50-600 Ω Mics & 600 Ω Lines	-60dBu	-40dBu	Euroblock*
	+10dB			+10dBu	+30dBu	

ANALOG OUTPUT SPECIFICATIONS

Output terminal	Actual Source Impedance	For use with nominal	Output level		Connector
			Nominal	Max. before clip	
OUTPUT	75 Ω	600 Ω	+4dBu	+24dBu	Euroblock*

DIGITAL INPUT AND OUTPUT SPECIFICATIONS

Terminal	Format/Level	IN/OUT	Connector
EtherSound	EtherSound / 100base-TX	16IN / 16OUT	RJ-45x2 (In, Out)

CONTROL I/O SPECIFICATIONS

Terminal	Format	Level	Connector
GPI 8IN/4OUT	IN	—	0V-5V
	OUT	—	TTL
	+V	—	5V
ETHERNET	IEEE802.3	—	RJ-45
USB	USB1.1	0V-3.3V	B type USB Connector
REMOTE	—	RS232C/RS422	D-Sub Connector 9P (Male)

COMPONENT LIST

Category	Component	
Delay	Long, Short	
	Dynamics	Gate, Ducking, Expander, Componder, Compressor, De-Esser, Limiter
Filter	BPF, HPF, LPF, Notch	
	EQ	PEQ, GEQ
Fader	Pan	LR, LCR, 3-1, 5.1, 6.1
	Meter	
Mixers	Simple Mixer	
	Auto Mixer (II)	
	Matrix Mixer	
	Delay Matrix	
I/O functions	Analog I/O	
	EtherSound I/O (16IN/16OUT)	
Source	Oscillator	
	Wav File Player	
Routing functions	Router	
Crossover	Crossover	
	Crossover processor (II)	
Speaker Processor	Speaker Processor	
Other functions	Room Combiner	
	Ambient Noise Compensator	
	Audio Detector	
	Auto Gain Control	
	Event Scheduler	
	Program Ducker	